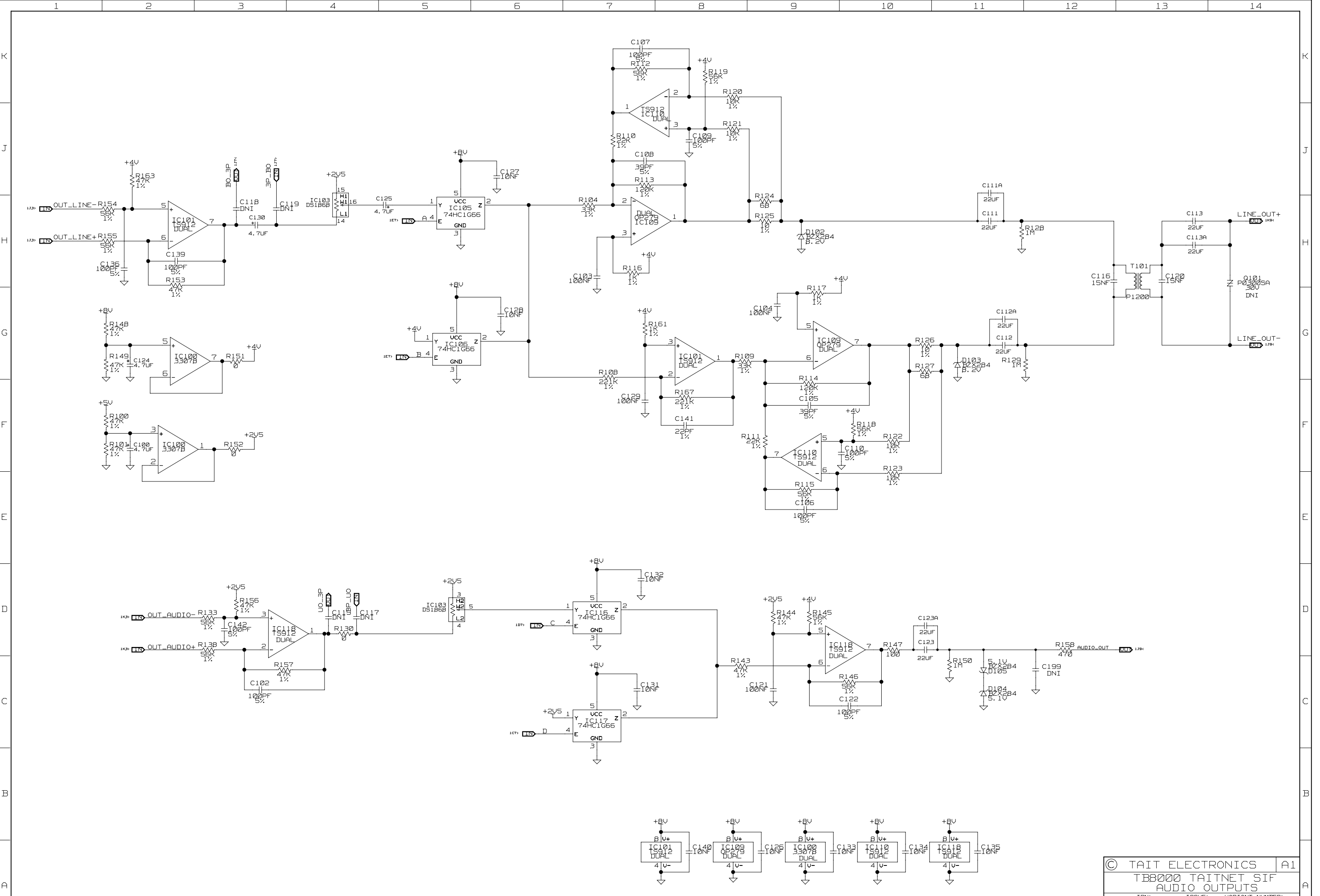


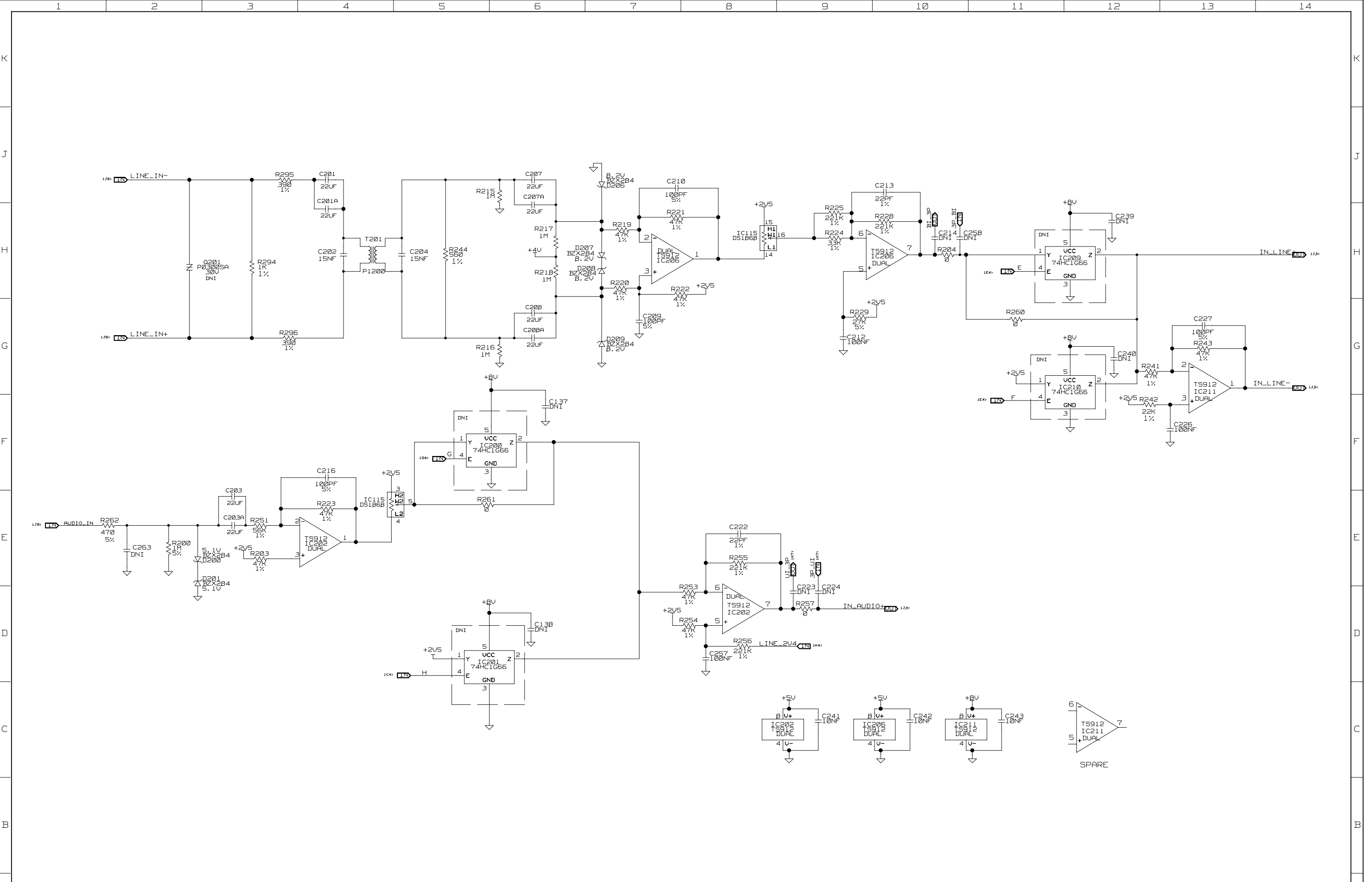
01A	LONED FROM 220-032-04 AND MODIFIED FOR RS232	ML	CJK	25/06/04
REV/ISS	AMENDMENTS	DRAWN	CHKD	DATE

© TAIT ELECTRONICS		A1
TB000 TAITNET SIF CONNECTORS & MISC.		
IPN: 220-02054-01	ISSUE: A	VARIANT NUMBER: ?
FILE DATE: Wed Sep 29 15:21:31 2004		
ENGINEER: M.Lim	FILE NAME: 220_02054	SHEET NUMBER: 1 OF 5



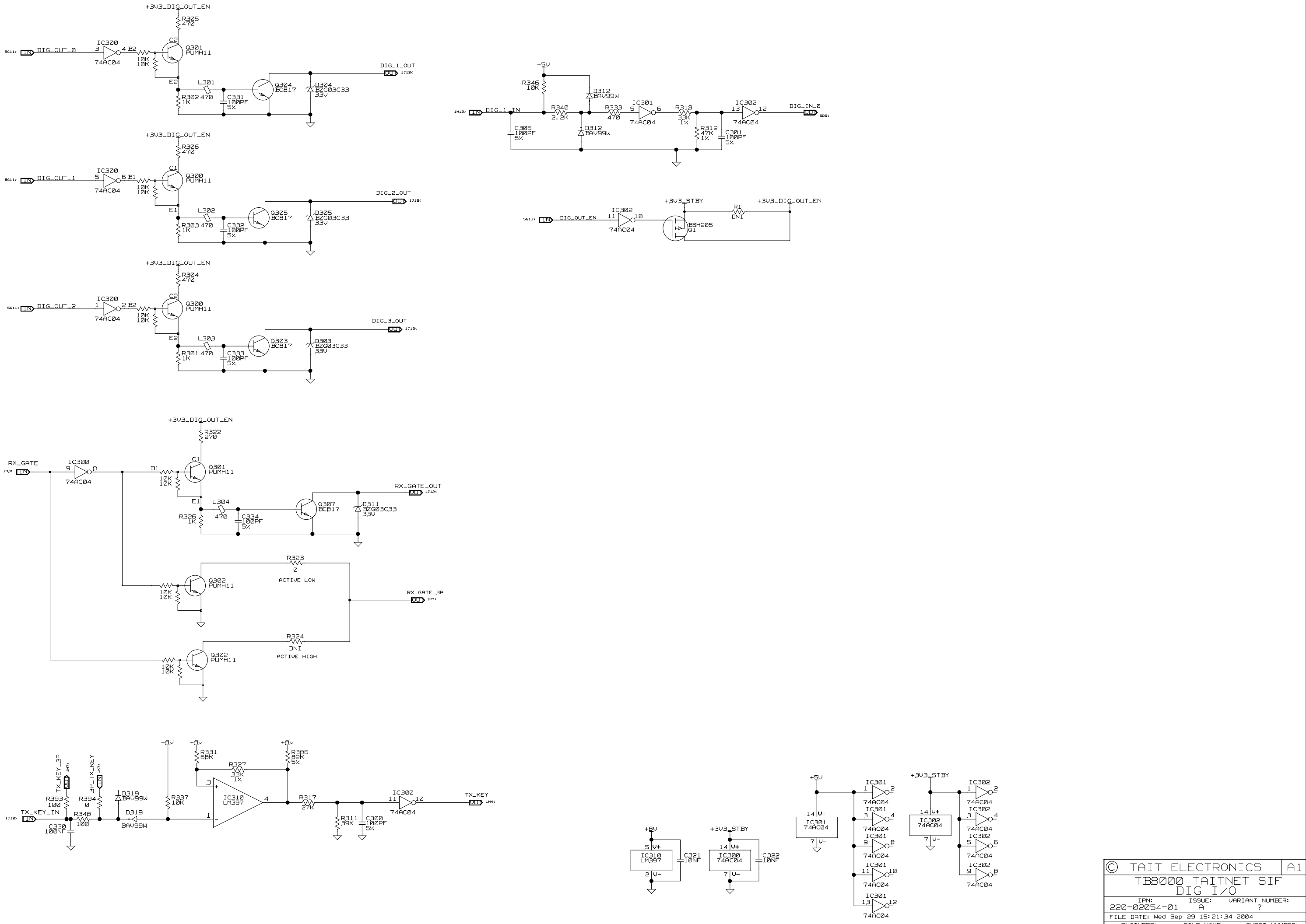
© TAIT ELECTRONICS		A1
TB8000 TAITNET SIF AUDIO OUTPUTS		
IPN: 220-02054-01	ISSUE: A	VARIANT NUMBER: ?
FILE DATE: Wed Sep 29 15:21:32 2004		
ENGINEER: M.Lim	FILE NAME: 220_02054	SHEET NUMBER: 2 OF 5

REV/ISS	AMENDMENTS	DRAWN	CHKD	D.O.	APVD	DATE
1						
2						
3						
4						
5						



© TAIT ELECTRONICS		A1
TB8000 TAITNET SIF AUDIO INPUTS		
IPN: 220-02054-01	ISSUE: A	VARIANT NUMBER: ?
FILE DATE: Wed Sep 29 15:21:33 2004		
ENGINEER: M.Lim	FILE NAME: 220_02054	SHEET NUMBER: 3 OF 5

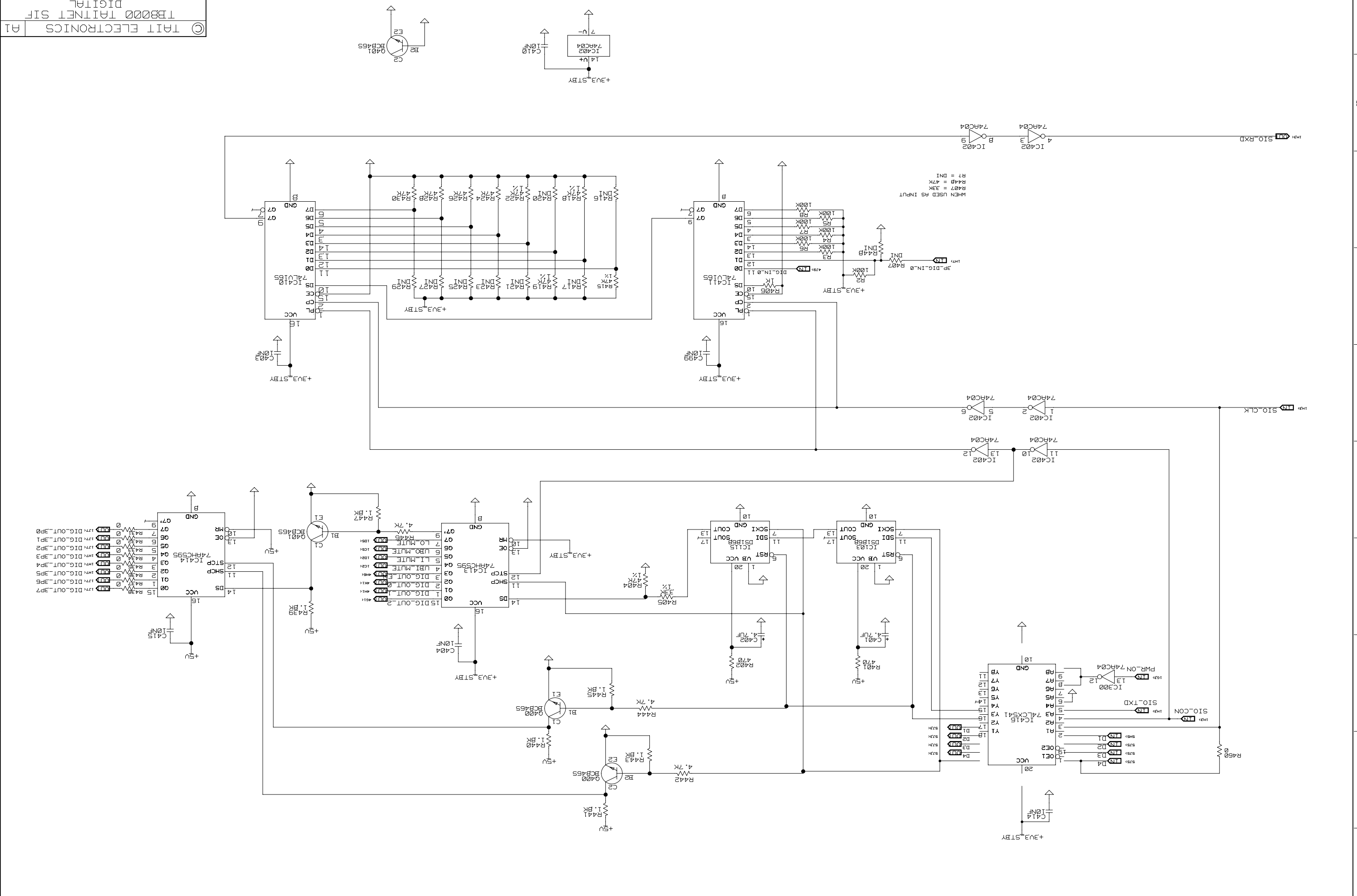
REV/ISS	AMENDMENTS	DRAWN	CHKD	D. O.	APVD	DATE
1						
2						
3						
4						
5						
6						
7						
8						
9						
10						
11						
12						
13						
14						

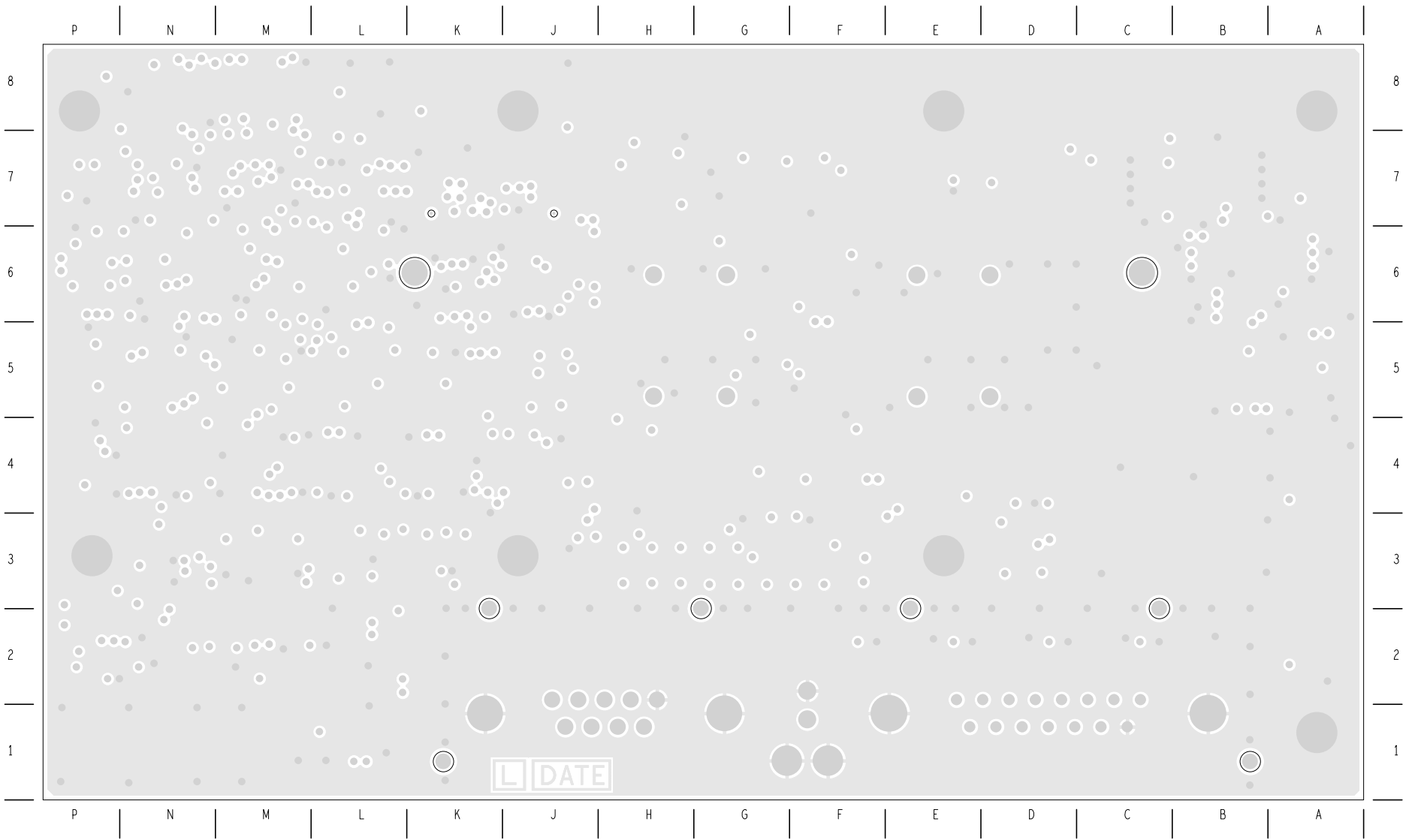


© TAIT ELECTRONICS		A1
TB8000 TAITNET SIF DIG I/O		
IPN: 220-02054-01	ISSUE: A	VARIANT NUMBER: ?
FILE DATE: Wed Sep 29 15:21:34 2004		
ENGINEER: M Lim	FILE NAME: 220_02054	SHEET NUMBER: 4 OF 5

REV/ISS	AMENDMENTS	DRAWN	CHKD	D. O.	APVD	DATE
1						
2						
3						
4						
5						

© TAIT ELECTRONICS A1
 DIGITAL
 T8800 TAINET SIF
 IPN: 220-02054-01 A
 ISSUE: VARIANT NUMBER: 1
 FILE DATE: Wed Sep 29 15:21:36 2004
 FILE NAME: 220_02054
 ENGINEER: M Lim
 SHEET NUMBER: 5 OF 5





TAIT ELECTRONICS	IPN: 220-02054-02	ISS: A	DATE: 120c+04	SCALE: NTS
TB8000 TAITNET RS232 SIF LAYOUT-SECONDARY-SIDE				